

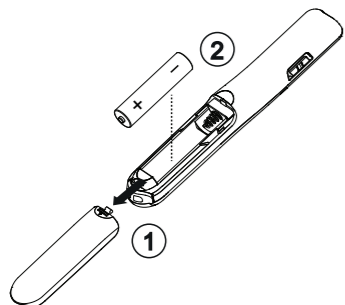


EN IMPORTANT : READ BEFORE USE
Please read the following instructions and safety precautions before using the Presenter. Keep this sheet on hand for future reference.

FR IMPORTANT : LIRE AVANT TOUTE UTILISATION
Veuillez lire les directives et les précautions de sécurité suivantes avant d'utiliser le Présentateur. Veuillez conserver cette feuille à portée de main à titre de référence.

KR 중요 : 사용하기 전에 꼭 읽어주세요
프리젠티어를 사용하기 전에 다음의 안내사항과 안전사항을 읽어 주십시오. 향후 사용을 위하여 이 매뉴얼을 잘 보관하여 주십시오.

BATTERY INSTALLATION / INSTALLATION DES PILES / 배터리 장착법



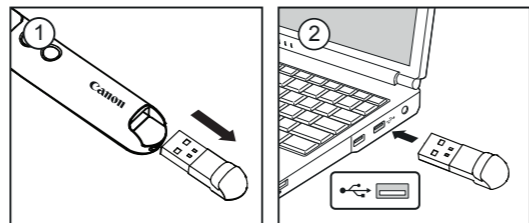
CAUTION / ATTENTION / 주의

- There is a risk of explosion if an incorrect battery type is installed. Please dispose of used batteries according to their instructions.
- Keep the batteries out of reach of children.
- Never expose batteries to high temperatures, direct heat, or dispose by incineration.
- Do not allow metal objects to touch the battery terminals on the device; they can become hot and cause burns.
- Remove the batteries if they are worn out or have been stored for an extended period of time.
- Always remove old, weak, or worn out batteries promptly and recycle or dispose of them in accordance with Federal, State, and Local regulations.
- If a battery leaks, remove all batteries, taking care to keep the leaked fluid from touching your skin or clothes. If fluid from the battery comes into contact with skin or clothes, flush skin with water immediately.

- Il existe un risque d'explosion si les piles sont remplacées par un type incompatible. Veuillez jeter les piles usagées conformément aux directives fournies avec celles-ci.
- Garder les piles hors de la portée des enfants.
- Ne jamais exposer les piles à des températures élevées ou une source de chaleur directe; ne pas incinérer les piles pour les éliminer.
- Éviter que les bornes des piles touchent des objets métalliques; les bornes peuvent chauffer et causer des brûlures.
- Enlever les piles si elles sont déchargées ou si elles étaient entreposées pendant une période prolongée.
- Toujours retirer les piles vieilles, faibles ou déchargées promptement; éliminer ou recycler les piles conformément aux réglementations locales, provinciales et fédérales.
- En cas de fuite d'une pile, retirer toutes les batteries en veillant à ce que le liquide n'entre pas en contact avec la peau et les vêtements. En cas de contact du liquide avec la peau ou les vêtements, rincer immédiatement la peau avec de l'eau.

- 허가 되지 않은 배터리를 장착 할 시에 폭발할 위험이 있습니다. 안내사항에 따라 사용된 배터리를 처리하여 주십시오.
- 어린이의 손이 닿지 않는 곳에 보관하여 주십시오.
- 고온 및 직접 열에 배터리를 노출 시키거나 소각 처분 하지 마십시오.
- 금속 물체가 기기 의 배터리 단자에 닿지 않도록 하십시오; 매우 뜨거우며 화상을 입을 수 있습니다.
- 배터리가 닳거나, 장기간 보관 되어 있을 경우 배터리를 제거하여 주십시오.
- 오래되어 소진된 배터리는 즉시 폐기하여 주시고, 전기 재활용함에 넣거나 적절한 폐기 규정에 따라 처리하여 주십시오.
- 만약 배터리 액이 누수된 경우 즉시 모든 배터리를 제거하여 주시고, 피부 및 옷에 닿지 않도록 유의하여 주십시오. 만약 누수용액이 옷이나 피부에 닿았을 경우 즉시, 물로 씻어 내 주시고 이상 시 의사에게 처방 받으시기 바랍니다.

PLUG IN THE DONGLE / BRANCHEZ LA CLÉ ÉLECTRONIQUE / 수신기 연결법



USAGE TIPS / CONSEILS D'UTILISATION / 사용안내

- When finished using the Presenter with a computer, remove the dongle from the computer and return it to the RF dongle compartment.
- When you encounter connection problems between the Presenter and computer, please follow this procedure.
 - Remove the dongle from the computer and switch the Presenter to OFF position
 - Switch the Presenter to ON position
 - Reinsert the dongle to the computer's USB port
- When using the dongle on a different computer, please reconnect it for initial setup.
- RF connection requires battery power to function properly.

- Lorsque vous terminez d'utiliser le Présentateur avec un ordinateur, retirez la clé électronique de l'ordinateur, puis rangez-la dans le compartiment pour clé électronique RF.
- Si vous rencontrez des problèmes de connexion entre le Présentateur et l'ordinateur, veuillez suivre cette procédure.
 - Retirez la clé électronique de l'ordinateur et réglez le Présentateur à la position OFF
 - Réglez le Présentateur à la position ON
 - Réinsérez la clé électronique dans le port USB de l'ordinateur
- Lors de l'utilisation de la clé électronique sur un ordinateur différent, veuillez la reconnecter pour effectuer la configuration initiale.
- La connexion RF nécessite l'alimentation par pile pour fonctionner correctement.

- 프리젠티어 사용이 끝났을 때, 컴퓨터에서 수신기를 제거하여 본체에 부착하여 주십시오.
- 프리젠티어 와 컴퓨터 사이의 연결 문제가 발생 하는 경우, 아래 절차에 따라 처리하십시오.
 - 수신기를 컴퓨터에서 제거하고, 프리젠티어 ON/OFF 스위치를 이용하여
 - 프리젠티어 본체의 ON 위치를 전환해 주십시오.
 - 수신기를 컴퓨터 USB 포트에 재삽입하여 주십시오.
- 다른 컴퓨터에서 프리젠티어를 사용하는 경우, 초기 설정 을 위해 수신기를 해당 컴퓨터에 다시 연결 하십시오.
- 무선연결(RF방식)이 제대로 동작하기 위해서 배터리 전원이 필요합니다.

PRESENTER MODE SWITCH / COMMUTEUR DE MODE DU PRÉSENTATEUR / 프리젠티어 모드 변경



- **EN** OFF (Turn off Presenter and laser pointer function)
 - Keynote (Macintosh)
 - Powerpoint (Windows® / Macintosh)
- **KR** OFF (프리젠티어 기능 및 레이저 포인터 기능 끄기)
 - 키노트(맥킨토시)
 - 파워포인트 (윈도우 / 맥킨토시)

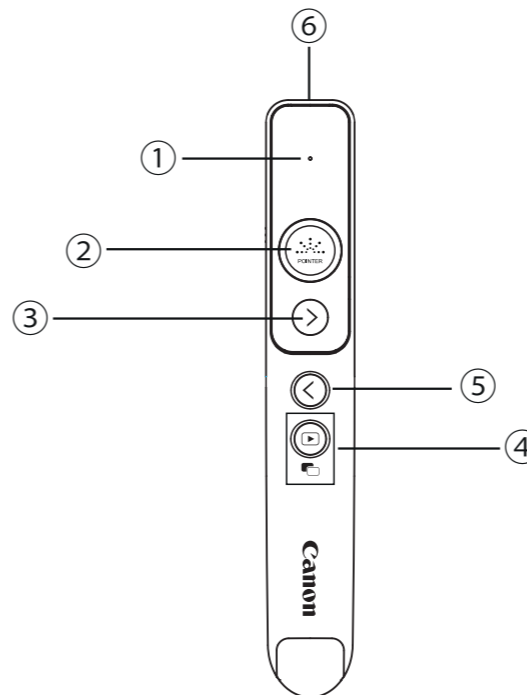
- **FR** ■ OFF (Désactivation du Présentateur et de la fonction de pointeur laser)
 - Keynote (Macintosh)
 - Powerpoint (Windows® / Macintosh)

VOLUME CONTROL / CONTRÔLE DU VOLUME / 볼륨 조정



- **EN** Volume down
- **FR** Monter le son
- **KR** 볼륨 down
- **EN** Volume up
- **FR** Baisser le volume
- **KR** 볼륨 up

FEATURES / FUNCIONES / 특징



- **EN** ① Laser indicator
② Laser pointer button
③ Forward button
④ Launch slide show / Blank/dark screen
⑤ Back button
⑥ Laser aperture
- **KR** ① 레이저 표시
② 레이저 포인터 버튼
③ 앞으로 버튼
④ 슬라이드 쇼 실행 / 빈화면 / 어두운 화면
⑤ 뒤로 버튼
⑥ 레이저 홀

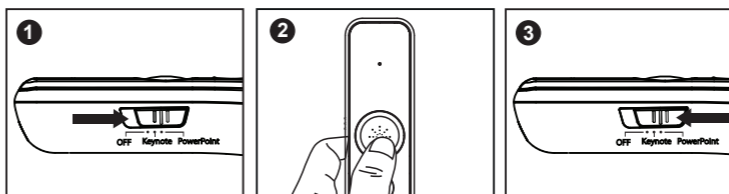
- **FR** ① Indicateur laser
② Bouton de pointeur laser
③ Bouton Avant
④ Démarrage de diaporama / Écran vide/sombre
⑤ Bouton Arrière
⑥ Ouverture laser

USING LASER POINTER / UTILISATION DU POINTEUR LASER / 레이저 포인터 사용법

- **EN** 1) Power on the Presenter.
2) Press and hold the pointer button to keep the laser.
Note: The laser pointer indicator will be light up in red color.
3) Slide off the Presenter.

- **FR** 1) Mettez en marche le Présentateur.
2) Maintenez enfoncé le bouton du pointeur pour garder le laser activé.
Remarque : L'indicateur du pointeur laser s'allumera en rouge.
3) Éteignez le Présentateur.

- **KR** 1) 프리젠티어의 파워를 켜다.
2) 레이저 포인터가 표시될 수 있도록 포인터 버튼을 꼭 누른다.
참고: 레이저 포인터 표시등에 빨간불이 켜질 것 입니다.
3) 프리젠티어를 꺼주십시오.



LASER PRODUCT CAUTION / PRÉCAUTIONS / 레이저 제품 주의사항

- **EN** - Do not allow children to use the laser product unsupervised.
- - To avoid possible exposure to laser radiation, do not direct the laser beam at eyes or faces.
- - Do not use sunglasses as eye protection equipment.
- - Do not stare at laser beam or point into eyes – prolonged exposure can be hazardous.
- - Do not use on mirror-like (reflective) surfaces as it may reflect the laser into the eye.
- - Do not shine a laser pointer at anyone. Laser pointers are designed to illuminate inanimate objects.
- - Use of controls and adjustments or performance of procedures other than those specified herein may result in hazardous radiation exposure.

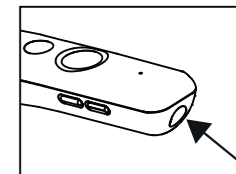
- **FR** - Ne laissez pas les enfants utiliser un appareil laser sans supervision.
- - Pour éviter l'exposition au rayonnement laser, ne dirigez pas le rayon laser vers les yeux ou les visages.
- - N'utilisez pas de lunettes de soleil comme équipement de protection pour les yeux.
- - Ne regardez pas le laser et ne visez pas les yeux – une exposition prolongée peut être dangereuse.
- - N'utilisez pas cet appareil sur une surface réfléchive (comme un miroir); celle-ci pourrait réfléchir le laser vers les yeux.
- - Ne dirigez jamais le rayon laser vers une personne. Les pointeurs laser sont conçus pour illuminer des objets inanimés.
- - L'utilisation de commandes, modifications ou procédures autres que celles décrites dans le présent document pourrait vous exposer à des niveaux de rayonnement dangereux.

- **KR** - 레이저 포인터가 어른의 감독 없이 아이들이 사용 하지 않도록 하십시오.
- - 레이저 광선에 노출되지 않도록 하십시오, 눈이나 얼굴에 레이저 빔을 쏘지 마십시오.
- - 안구 보호 장비로 선글라스를 사용하지 마십시오.
- - 레이저빔을 눈으로 지속적으로 응시하지 마십시오- 장기간 노출 시, 위험 할 수 있습니다.
- - 거울과 같은 반사체를 이용하여 눈으로 쏘지 마십시오.
- - 사람에게 레이저 포인터를 사용하지 마십시오. 레이저 포인터는 무생물에 사용하도록 제조 되었습니다.
- - 매뉴얼 상에 명시되지 않은 방법으로 제품을 사용하면 위험한 방사선에 노출 될 수 있습니다.

• **EN** This point aperture can produce CLASS 2 laser energy.

• **FR** Cette ouverture de pointage peut produire une énergie laser de CLASSE 2.

• **KR** 이 포인터는 2급 레이저 에너지가 나올 수 있습니다.



CLASS 2 LASER DEVICES / DIAPOSITIF LASER DE CLASSE 2 / 2등급 레이저 제품

- **EN** - Maximum Laser power output: <1mW
- Emitted laser wavelength: 650nm
- Beam divergence: α = 1.5mrad
- Pulse duration: continuous

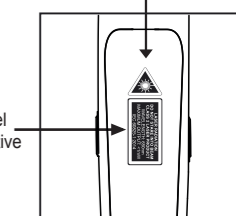
- **FR** - Puissance de sortie maximale du laser : <1 mW
- Longueur d'onde du laser émis : 650 nm
- Divergence du faisceau : α = 1,5 mrad
- Durée de pulsation : continue

- **KR** - 최대 레이저 파워: <1mW
- 방출 레이저 파장: 650nm
- 빔 발산: α = 1.5mrad
- 펄스 지속 시간 : 연속

For Canada only / Pour le Canada seulement / 캐나다 전용



Warning Label / Étiquette d'avertissement / 경고 문구



Explanatory Label / Étiquette explicative / 해설 라벨

CANON ELECTRONIC BUSINESS MACHINES (H.K.) CO., LTD.
17/F., Tower One, Ever Gain Plaza, 82-100 Container Port Road, Kwai Chung, New Territories, Hong Kong (ZEN)

CANON CANADA INC.
8000 Mississauga Road, Brampton, Ontario L6Y 5Z7 Canada

CANON KOREA BUSINESS SOLUTIONS INC.
607 Teheran-ro, Gangnam-gu, Seoul, Korea
www.canon-bs.co.kr

HANDLING AND CARE EN

- Never continue to use the Presenter if it starts to smoke, emits a strange odor, or emits heat. Continued use of the Presenter under such conditions creates the danger of fire and electric shock.
- When cleaning the Presenter, do not use a damp cloth or volatile liquid such as paint thinner; instead, use only a soft, dry cloth.
- Never dispose of the Presenter improperly (such as burning), which can lead to personal injury or harm. You should dispose of this product in accordance with Federal, State, and Local regulations.

TROUBLESHOOTING

If the Presenter is not connecting or not functioning properly:

- Check battery placement direction.
- Make sure computer meets the minimum system requirements.
- Make sure the dongle is plugged into the computer's USB port and is functioning properly.
- Remove obstacles between the personal computer and Presenter.

SYSTEM REQUIREMENTS

Hardware: Windows[®] based PC x86 / x64 or above, Intel-based Mac
Operating System: Windows Vista[®] (SP2 or above) or Windows[®] 7 or Windows[®] 8 or Windows[®] 8.1 or Windows[®] 10
Mac OS X10.5 ~10.11, macOS10.12

DEVICE SPECIFICATIONS

Power Source: AAA-size Alkaline battery x 1
Frequency : 2.4 GHz frequency range
Connection Range : The operating range is up to 15 meters
Operating Temperature: 0°C to 40°C (30°F to 104°F)
Dimension: 135.5mm (L) x 22mm (W) x 22.5mm (H) / 5-21/64" (L) x 55/64" (W) x 57/64" (H)
Weight : 25.5g (0.9oz) without batteries / 37g (1.3oz) with batteries
Accessory : Wireless receiver (D15A) , Carrying case
NOTE : All specifications are subject to change without notice.

MANUTENTION ET ENTRETIEN FR

- Cessez d'utiliser le Présentateur s'il émet de la fumée, une odeur étrange ou de la chaleur. Son utilisation dans de telles conditions entraîne un risque d'incendie ou de choc électrique.
- Lorsque vous nettoyez le Présentateur, n'utilisez pas un chiffon humide ou des liquides volatils tels qu'un diluant; utilisez plutôt un chiffon doux et sec.
- Ne mettez jamais le Présentateur au rebut de manière inadéquate (par exemple, en l'incinérant); cela pourrait causer des blessures. Vous devez mettre cet appareil au rebut selon les règlements nationaux, provinciaux et locaux.

DÉPANNAGE

Si le Présentateur ne se connecte ou ne fonctionne pas correctement :

- Vérifiez la polarité de la pile.
- Assurez-vous que l'ordinateur répond aux exigences minimales.
- Assurez-vous que la clé électronique est branchée dans le port USB de l'ordinateur et qu'elle fonctionne correctement.
- Retirez les obstacles se trouvant entre l'ordinateur et le Présentateur.

EXIGENCES MINIMALES

Matériel : PC x86/x64 sous Windows[®] ou supérieur; Mac avec processeur Intel
Système d'exploitation : Windows Vista[®] (SP2 ou supérieur), Windows[®] 7, Windows[®] 8, Windows[®] 8.1 ou Windows[®] 10
Mac OS X10.5 ~10.11, macOS10.12

CARACTÉRISTIQUES TECHNIQUES

Source d'alimentation : 1 pile alcaline AAA
Fréquence : plage fréquence 2,4 GHz
Plage de connexion : la portée d'utilisation est de 15 mètres max
Température de fonctionnement : 0°C à 40°C (30°F à 104°F)
Dimensions : 135,5 mm (L) x 22 mm (A) x 22,5mm (A) / 5 21/64 po (L) x 55/64 po (A) x 57/64 po (A)
Poids : 25,5 g (0.9 oz) sans pile / 37 g (1.3 oz) avec pile
Accessorio : Récepteur sans fil (D15A), Étui de transport
REMARQUE : Toutes les caractéristiques sont sujettes à modification sans avis.

MADE IN CHINA / FABRIQUÉ EN CHINE / 원산지 : 중국
PRINTED IN CHINA / IMPRIMÉ EN CHINE / 원산지 : 중국

© CANON ELECTRONIC BUSINESS MACHINES (H.K.) CO., LTD. 2018

취급 및 보관 KR

- 열 또는 연기가 나거나 이상한 냄새가 날 경우, 절대 프리젠티어를 계속 사용하지 마십시오. 만약 계속 사용 할 경우 화재나 전기 충격이 발생할 수 있습니다.
- 프리젠티어를 청소할 때에는, 젖은 천 이나 신나 등의 휘발성 액체를 사용하지 마십시오. 부드럽고 마른 천을 사용하십시오.
- 프리젠티어를 폐기 하실 때, 부상이나 피해가 발생할 수 있는 방법으로 폐기 하지 마십시오(예 : 소각). 규정에 따라 제품을 폐기 하여 주십시오.

문제해결방법

- 프린터가 연결 되지 않거나 제대로 작동하지 않는 경우 :
 - 배터리의 (+)(-)극에 제대로 위치하였는지 확인합니다.
 - 컴퓨터 사양이 최소 요구 사양에 충족되었는지 확인합니다.
 - 수신기는 컴퓨터의 USB 포트에 연결되어 있고 올바르게 작동하고 있는지 확인하십시오.
 - PC와 프린터 사이의 장애물을 제거해 주십시오.

시스템 요구 사항

하드웨어 : 윈도우 기반 PC 의 86 / 64 이상, Intel 기반 Mac
운영체제 : Windows Vista[®]의 (위 SP2 이상) 또는 Windows[®] 7 또는 Windows[®] 8 또는 Windows[®] 8.1 또는 Windows[®] 10
Mac OS X10.5 ~ 10.11 , macOS10.12

기기 사양

전원 : AAA-사이즈 건전지 x 1
주파수 : 2.4 GHz
작동 범위 : 최대 15m 까지
작동 온도: 0°C 에서 40°C (30°F 에서 104°F)
크기: 135.5mm (L) x 22mm (W) x 22.5mm (H) / 5-21/64" (L) x 55/64"(W) x 57/64" (H)
무게 : 25.5g (0.9oz) 본체무게 / 37g (1.3oz) 배터리포함
액세서리 : 무선 수신기 (D15A), 보관 케이스
참고 : 모든 사양은 사전 통보 없이 변경 될 수 있습니다.
보증기간 : 제품 구입일로부터 1년 / 고객센터 : 1666-3037

품질보증서

본 제품을 구입하여 주셔서 감사합니다. 보증기간 내 제조상의 결함으로 고장이 발생하였을 경우에는 본 품질보증서를 제시하시고 구입처 또는 당사 고객센터로 연락하여 주시면 보증규정에 의거 무상으로 수리하여 드립니다.

모 델 명	제 품 번 호
구 입 처	전 화 번 호
구 입 일 자	납 품 담 당 자

고객		
고객(상호)명	전 화 번 호	
대 표 자 명	사 업 자 번 호	
주 소	설 치 부 서	
업 태	중 목	

- 본 품질보증서는 보증기간 내 무상수리를 받을 수 있는 증서이므로 구입처에서 확실하게 내용을 기재하도록 요청하시기 바랍니다.
- 수리를 요할 때는 품질보증서를 꼭 제시하십시오.
- 품질보증서는 소중히 보관하십시오.
- 본 품질보증서는 대한민국 국내에서만 유효합니다.
- 보증기간 : 제품 구입일로부터 1년

고객상담센터	: ☎ 1666-3037
인터넷 홈페이지	: www.canon-bs.co.kr
홈페이지 고객센터	: svc.canon-bs.co.kr

캐논코리아 비즈니스 솔루션(주)

CANON CONSUMER PRESENTER LIMITED WARRANTY

The limited warranty set forth below is given by Canon Canada Inc., (Canon Canada) with respect to Presenter purchased and used in the Canada respectively.

This limited warranty is only effective upon presentation of proof of purchase (bill of sale) to Canon Canada Factory Service Center. Canon Presenter, when delivered to you in a new condition in the original container, are warranted against defective materials or workmanship as follows: for a period of one (1) year from the date of original purchase, defective parts or Presenter returned to a Canon Canada Factory Service Center and proven to be defective upon inspection, will be exchanged at Canon Canada’s sole option, for new or comparable rebuilt parts or Presenter (of the same or similar model). Warranty for replacement shall not extend the original warranty period of the defective Presenter.

When returning Presenter under this limited warranty, you must pre-pay the shipping charges, if any, and enclose a complete explanation of the problem. Presenter covered by this limited warranty will be repaired at Canon Canada’s sole option, and returned to you without charge by any Canon Canada Service Center. This warranty does not cover rechargeable batteries that may be supplied with the Presenter, as to which batteries there shall be no warranty or replacement.

Information Technology Services and Canon Canada Information/Service Center will refer you to the nearest Factory Service Center. Repairs not under warranty will be at such cost or as Canon Canada may generally establish.

This limited warranty covers all defects encountered in normal use of the Presenter, and does not apply in the following cases:
(a) Loss or damage to the Presenter due to abuse, mishandling, alteration, accident, electrical current fluctuations, failure to follow operating instructions, maintenance and environmental instructions prescribed in Canon Canada’s instruction manual or service performed by other than a Canon Canada Factory Service Center.
(b) Use of parts (other than those distributed by Canon Canada) which damage the Presenter or cause abnormally frequent service calls or service problems.
(c) If any Presenter has had its serial numbers or dating altered or removed.
(d) Loss or damage to the Presenter due to leaking batteries (other than rechargeable batteries supplied as original equipment with the Presenter by Canon Canada) or water damage.

NO IMPLIED WARRANTY (OR CONDITION)* INCLUDING ANY IMPLIED WARRANTY (OR CONDITION)* OF MERCHANTABILITY OR FITNESS FOR A PARTICULAR PURPOSE, APPLIES TO THE PRESENTER AFTER THE APPLICABLE PERIOD OF EXPRESS WARRANTY STATED ABOVE, AND NO OTHER EXPRESS WARRANTY OR GUARANTY, EXCEPT AS MENTIONED ABOVE, GIVEN BY ANY PERSON, FIRM OR CORPORATION WITH RESPECT TO THE PRESENTER SHALL BIND CANON CANADA. (SOME STATES OR PROVINCES DO NOT ALLOW LIMITATIONS ON HOW LONG AN IMPLIED WARRANTY LASTS. SO THE ABOVE LIMITATION MAY NOT APPLY TO YOU.) CANON CANADA SHALL NOT BE LIABLE FOR LOSS OF REVENUE OR PROFITS, FAILURE TO REALIZE SAVINGS OR OTHER BENEFITS, OR FOR ANY OTHER SPECIAL, INCIDENTAL OR CONSEQUENTIAL DAMAGES CAUSED BY THE USE, MISUSE OR INABILITY TO USE THE PRESENTER, REGARDLESS OF THE LEGAL THEORY ON WHICH THE CLAIM IS BASED, AND EVEN IF CANON CANADA HAS BEEN ADVISED OF THE POSSIBILITY OF SUCH DAMAGES. NOR SHALL RECOVERY OF ANY KIND AGAINST CANON CANADA BE GREATER IN AMOUNT THAN THE PURCHASE PRICE OF THE PRESENTER SOLD BY CANON CANADA AND CAUSING THE ALLEGED DAMAGE. WITHOUT LIMITING THE FOREGOING, YOU ASSUME ALL RISK AND LIABILITY FOR LOSS, DAMAGE OR INJURY TO YOU AND YOUR PROPERTY AND TO OTHERS AND THEIR PROPERTY ARISING OUT OF USE, MISUSE OR INABILITY TO USE ANY PRESENTER SOLD BY CANON CANADA NOT CAUSED DIRECTLY BY THE NEGLIGENCE OF CANON CANADA. (SOME STATES OR PROVINCES DO NOT ALLOW THE EXCLUSION OR LIMITATION OF INCIDENTAL OR CONSEQUENTIAL DAMAGES, SO THE ABOVE LIMITATION OR EXCLUSION MAY NOT APPLY TO YOU.) THIS LIMITED WARRANTY SHALL NOT EXTEND TO ANYONE OTHER THAN THE ORIGINAL PURCHASER OF ANY PRESENTER OR THE PERSON FOR WHOM IT WAS PURCHASED AS A GIFT AND STATES YOUR EXCLUSIVE REMEDY.

This warranty gives you specific legal rights, and you may also have other rights which vary from state to state or province to province.

Canon Canada Inc.
8000 Mississauga Road, Brampton, Ontario L6Y 5Z7 CANADA

Please keep a copy of your original bill of sale. In order to obtain warranty service, you will need to present a copy of your original bill of sale from your Consumer Presenter retailer at the time of service.

Also please keep all packing materials and the original packing box to protect your equipment, should you need to transport it for service.

Canon Information/Service Centers in Canada
Should service be necessary, please call 1 800-OK-CANON for information regarding the nearest Authorized Service Facility:
Canon Canada Inc. 2828 16th Street, N.E. Calgary, Alberta T2E 7K7
Canon Canada Inc. 5990 ch Côte-de-Liesse, Montréal, Québec H4T 1V7
Canon Canada Inc. 8000 Mississauga Road, Brampton, Ontario L6Y 5Z7

For Canada only / Pour le Canada seulement / 캐나다 전용

EN	"This device complies with Industry Canada's licence-exempt RSSs. Operation is subject to the following two conditions: (1) This device may not cause interference; and (2) This device must accept any interference, including interference that may cause undesired operation of the device."
FR	« Le présent appareil est conforme aux CNR d'Industrie Canada applicables aux appareils radio exempts de licence. L'exploitation est autorisée aux deux conditions suivantes : 1) l'appareil ne doit pas produire de brouillage; 2) l'utilisateur de l'appareil doit accepter tout brouillage radioélectrique subi, même si le brouillage est susceptible d'en compromettre le fonctionnement. »

GARANTIE RESTREINTE DES PRÉSENTATEUR GRAND PUBLIC DE CANON

La présente garantie restreinte est fournie par Canon Canada Inc. (« Canon Canada ») à l'égard des Présentateur achetées et utilisées aux Canada respectivement.

La présente garantie restreinte est valable seulement sur présentation d'une preuve d'achat (facture de vente) à un centre d'entretien et après-vente autorisé de Canon Canada. Les Présentateur de Canon, lorsqu'elles sont livrées à l'état neuf dans leur emballage d'origine, sont garanties contre tout vice de matière et de fabrication comme suit : pendant une période de un (1) an à compter de la date de l'achat initial, les pièces défectueuses ou les Présentateur qui sont retournées à un centre d'entretien et après-vente autorisé de Canon Canada et dont l'inspection confirme une défectuosité seront remplacées à la discrétion exclusive de Canon Canada par des pièces ou des Présentateur neuves ou remises à neuf comparables du même modèle ou d'un modèle comparable. La durée de garantie des pièces de remplacement n'excédera en aucun cas la durée initiale de la garantie de la calculatrice défectueuse.

Pour retourner une calculatrice dans le cadre de la présente garantie restreinte, il faut payer d'avance les frais d'expédition, s'il y a lieu, et joindre une explication détaillée du problème. Les Présentateur couvertes par la présente garantie restreinte seront réparées à la discrétion exclusive de Canon Canada et vous seront retournées sans frais par le centre d'entretien et après-vente de Canon Canada. La présente garantie ne couvre pas les piles rechargeables qui pourraient être fournies avec la calculatrice. Aucune autre garantie ni aucun remplacement ne sont prévus pour les piles dans le cadre de la présente entente.

Les Services de la technologie de l'information et le CENTRE DE SERVICE ET D'INFORMATION DE CANON CANADA vous dirigera vers le centre d'entretien et après-vente autorisé le plus proche. Le coût des réparations non couvertes par la présente garantie sera celui que Canon Canada établira à l'occasion.

La présente garantie restreinte couvre toutes les défectuosités constatées pendant l'utilisation normale des Présentateur et ne s'applique pas aux cas suivants :
a) Perte ou endommagement des Présentateur, causé par l'usage abusif, la manipulation négligente, les modifications, les accidents et les variations de courant électrique, ainsi que l'omission d'observer les directives à l'égard du mode d'utilisation, des conditions d'entretien et des mesures de protection de l'environnement énoncées dans le manuel d'utilisation de Canon Canada et l'entretien effectué ailleurs que dans un centre d'entretien et après-vente autorisé de Canon Canada ;
b) utilisation de pièces (autres que celles distribuées par Canon Canada) ayant pour effet d'endommager les Présentateur ou d'entraîner une fréquence anormale d'appels d'entretien ou de problèmes nécessitant le recours au service d'entretien et après-vente ;
c) modification ou retrait du numéro de série ou de datation de toute calculatrice ;
d) perte de la calculatrice ou dommages causés à ladite calculatrice par la fuite des piles (autres que les piles rechargeables fournies en équipement d'origine avec la calculatrice par Canon Canada) ou dommages causés par l'eau.

AUCUNE GARANTIE (OU CONDITION)* IMPLICITE, Y COMPRIS TOUTE GARANTIE (OU CONDITION)* IMPLICITE À L'ÉGARD DE LA QUALITÉ MARCHANDE OU DE L'APTITUDE À UNE FIN PARTICULIÈRE, NE S'APPLIQUE AUX PRÉSENTATEUR APRÈS LA PÉRIODE PRESCRITE DE LA GARANTIE EXPRESSE SUSMENTIONNÉE ET. À L'EXCEPTION DE LADITE GARANTIE EXPRESSE, AUCUNE AUTRE GARANTIE, ENTREPRISE OU SOCIÉTÉ À L'ÉGARD DES PRÉSENTATEUR N'AURONT POUR EFFET DE LIER CANON CANADA À L'ÉGARD DE TOUTE OBLIGATION, QUELLE QU'ELLE SOIT. (CERTAINS ÉTATS ET PROVINCES N'AUTORISENT AUCUNE RESTRICTION SUR LA DURÉE D'UNE GARANTIE IMPLICITE ; AINSI, IL EST POSSIBLE QUE LA RESTRICTION ÉNONCÉE CI-DESSUS NE S'APPLIQUE PAS DANS VOTRE CAS.) CANON CANADA N'ASSUMENT AUCUNE RESPONSABILITÉ À L'ÉGARD DE LA PERTE DE PRODUITS D'EXPLOITATION OU DE PROFITS, NI À L'ÉGARD DES ÉCONOMIES OU DES PROFITS NON RÉALISÉS, NI À L'ÉGARD DE TOUT DOMMAGE SPÉCIAL, INDIRECT OU ACCESSOIRE DÉCOULANT DE L'USAGE, DE L'USAGE IMPROPRE OU DE L'IMPOSSIBILITÉ D'UTILISER LES PRÉSENTATEUR, QUELLE QUE SOIT L'ARGUMENTATION JURIDIQUE SUR LAQUELLE S'APPLIE LA DEMANDE ET MÊME SI CANON CANADA A ÉTÉ INFORMÉE DE LA POSSIBILITÉ DE TELS DOMMAGES. AUCUN RECOURVEMENT, QUELLE QU'EN SOIT LA FORME, CONTRE CANON CANADA NE SERA SUPÉRIEUR AU MONTANT DU PRIX D'ACHAT DE LA CALCULATRICE VENDUE PAR CANON CANADA ET À L'ORIGINE DES DOMMAGES PRÉSUMÉS. SANS VOUS LIMITER À CE QUI PRÉCÈDE, VOUS ASSUMEZ TOUS LES RISQUES ET TOUTE LA RESPONSABILITÉ À L'ÉGARD DES PERTES, DES DOMMAGES MATÉRIELS ET DES BLESSURES CORPORELLES SUBIS PAR VOUS OU D'AUTRES PERSONNES EN RAISON DE L'USAGE, DE L'USAGE IMPROPRE OU DE L'IMPOSSIBILITÉ D'UTILISER LES PRÉSENTATEUR VENDUES PAR CANON CANADA, À MOINS QUE LESDITS DOMMAGES MATÉRIELS, PERTES ET BLESSURES CORPORELLES N'AIENT ÉTÉ CAUSÉS DIRECTEMENT PAR LA NÉGLIGENCE DE CANON CANADA. (CERTAINS ÉTATS ET PROVINCES N'AUTORISENT AUCUNE EXCLUSION NI RESTRICTION DES DOMMAGES ACCESSOIRES OU INDIRECTS ; AINSI, IL EST POSSIBLE QUE LA RESTRICTION OU L'EXCLUSION ÉNONCÉE CI-DESSUS NE S'APPLIQUE PAS DANS VOTRE CAS.) LA PRÉSENTE GARANTIE RESTREINTE N'EST PAS ACCORDÉE À D'AUTRES PERSONNES QUE L'ACHETEUR INITIAL DE TOUTE CALCULATRICE OU LA PERSONNE QUI A REÇU LADITE CALCULATRICE EN CADEAU, ET CONSTITUE VOTRE RECOURS EXCLUSIF.

La présente garantie restreinte vous accorde des droits particuliers reconnus par la loi et il se peut que vous disposiez d'autres droits qui peuvent varier d'un État à l'autre ou d'une province à l'autre.

Canon Canada Inc.
8000 Mississauga Road, Brampton, Ontario L6Y 5Z7 CANADA

Veillez conserver un exemplaire de votre facture de vente initiale. Si vous désirez recevoir du service après-vente dans le cadre de cette garantie, vous devez présenter au centre de service un exemplaire de la facture de vente initiale de la calculatrice de Canon obtenu chez le détaillant.

Veillez garder tout le matériel d'emballage et toutes les boîtes d'emballage d'origine au cas où vous en auriez besoin pour transporter la calculatrice au centre de service.

Centres de service et d'information de Canon au Canada
Si vous avez besoin d'un service, composez le 1 800 OK CANON pour obtenir tous les renseignements sur le centre d'entretien et après-vente autorisé le plus proche.
Canon Canada Inc. 2828 16e Rue NE, Calgary AB T2E 7K7
Canon Canada Inc. 5990 ch Côte-de-Liesse, Montréal QC H4T 1V7
Canon Canada Inc. 8000 Mississauga Road, Brampton, Ontario L6Y 5Z7

For Canada only / Pour le Canada seulement / 캐나다 전용

EN	"This equipment complies with IC radiation exposure limits set forth for an uncontrolled environment and meets RSS-102 of the IC radio frequency (RF) Exposure rules. This equipment has very low levels of RF energy that are deemed to comply without testing of specific absorption ratio (SAR)."
FR	"Cet équipement est conforme aux limites d'exposition aux rayonnements énoncées pour un environnement non contrôlé et respecte les règles d'exposition aux fréquences radioélectriques (RF) CNR-102 de l'IC. Cet équipement émet une énergie RF très faible qui est considérée conforme sans évaluation du débit d'absorption spécifique (DAS)."
PMN :	Wireless Presenter (PR1100-R) Wireless Receiver (D15A)